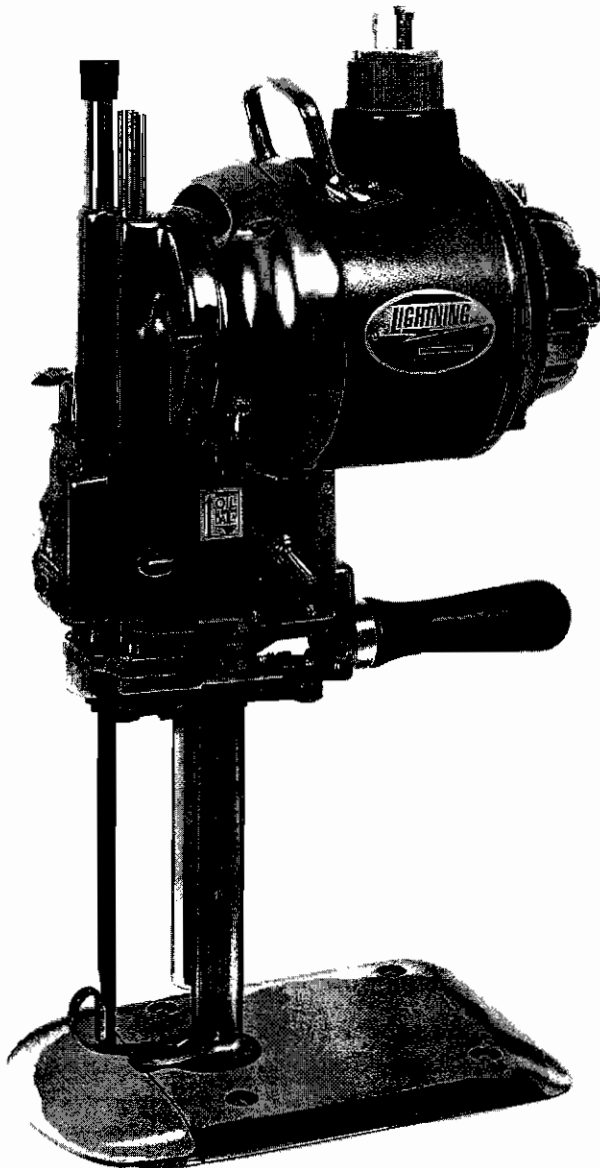


PARTS AND SERVICE MANUAL

LIGHTNING

STRAIGHT KNIFE CUTTING MACHINES



This manual contains parts & service information for the following models:

- LIGHTOMATIC
- PLASTAMATIC
- POWERGLIDE
- POWERMATIC

Third Edition
Published
JUNE 2004

IMPORTANT

Before operating this machine, familiarize yourself or the operator with the safety features, all functions and adjustments for this machine.

Serial Number for your LIGHTNING

LIGHTNING INTERNATIONAL N.A., INC.

5570 CREEK ROAD • CINCINNATI, OH 45242
PHONE: 513-791-4932 • FAX 513-791-5969 • TOLL FREE 1-800-385-BOLT

Operating Instructions

WARNING

THIS IS A HAZARDOUS TYPE OF MACHINERY AND SHOULD BE USED WITH CARE:

- Always disconnect electrical connector before attempting to work on machine.

For operator safety...

- Keep the Presser Foot down when machine is not in use, and keep Presser Foot resting on top of the lay or as close to the material as possible when cutting material or machine is on.
- Never place hands between Presser Foot Rod and Knife or in the path of the Sharpener mechanism while the machine is running.
- Never use a machine with a broken or improper guard.
- Operator should remove all loose fitting jewelry, do not wear loose or baggy fitting clothing and persons with long hair should cover or pull it back.
- For additional safety we also recommend the use of steel gloves.

The purchaser must instruct all operators on the proper use of this machine. Such training should be documented. All standard and industrial safety measures, devices, and equipment should be provided to protect the operator. All operators must be warned that incorrect use of this machine can cause bodily injury. If you do not have qualified personnel to instruct new operators, contact your Lightning sales representative or call, write or fax Lightning direct. Help can be arranged.

WARNING

- The blade provided with a new machine is factory sharpened and ready to use. To avoid injury handle with extreme care.
- Use only the handles provided to lift, carry and operate the machine.

PUTTING YOUR LIGHTNING INTO SERVICE.

- When your Lightning is first put into service/operation, allow the machine to come to room temperature.
- Make sure a Knife is installed. If no blade is installed, damage may occur to sharpener system.
- Before the machine is plugged in, make sure the motor rotates freely and the knife is properly

set. To do this turn the Knurled Rotor Knob (part #2900328) at the rear of the machine. The knife should not strike the Toeplate or the table when knob is rotated.

BEFORE STARTING: CAUTION

- Add oil to machine. Put oil in Oil Housing Assembly, see #2900180, page 3. Use Oil (#2901102) or good grade 20-30 non-detergent oil. Fill until housing is to 1/2 capacity. Full capacity is to RED line and will last for eight hours of operation.
NOTE: To avoid oil leakage, fill oil reservoir only with the amount of oil needed to complete the shift. Never over fill or leave oil in reservoir over night.
- Lightning motors are Repulsion Induction Motors, requiring 110 or 220/230 volt **single phase** only. Be sure electric supply, machine plug and connector are properly installed.
- Make sure sharpener assembly is in locked position. If not, raise Trip Lock Lever (A) up, then press Sharpener Release Lever (B) half way down and move sharpener up into locked position. Turn knurled knob at rear of motor a few revolutions by hand to make sure knife moves easily.

STARTING MACHINE:

- Read all above information first.
- Make sure motor switch is in "OFF" position.
- Make sure a blade is in machine.
- Make sure sharpener is in locked position.
- Turn Knurled Knob at rear of motor over a few revolutions by hand to see if Knife moves freely.
- Connect electrical plug
- Switch power "ON".

CHANGING THE BLADE:

- Switch off the machine and disconnect the power supply.
- When the old blade is removed, clean care fully with the Knife Slot Cleaning Tool so that all lint is removed. The machine must not be turned on without the blade correctly in place.
- To ensure the blade is correctly in place before restarting the machine, turn the black Knurled Rotor Knob at the rear of the motor one revolution by hand. If the blade is not in the correct position, it will hit the Toeplate and the blade changing operation must be recommenced.

IMPORTANT:

- For the first week or two, or after the machine has been idle for any length of time, the motor should be turned on and off a few times (flash starting) before allowing it to run continuously. This permits the oil to warm up and flow easily into the moving parts.

WHEN MACHINE IS NOT IN SERVICE STORE SAFELY IN A WARM AREA ON A FIRM AND LEVEL SURFACE. EXTRA CAUTION SHOULD BE EXERCISED WITH TALLER MODELS.

LUBRICATION OF YOUR LIGHTNING CUTTER

WEEKLY

2 Drops - Oil only in Small Tubes
(2901152, 2901154, 2901156 & 2901158)

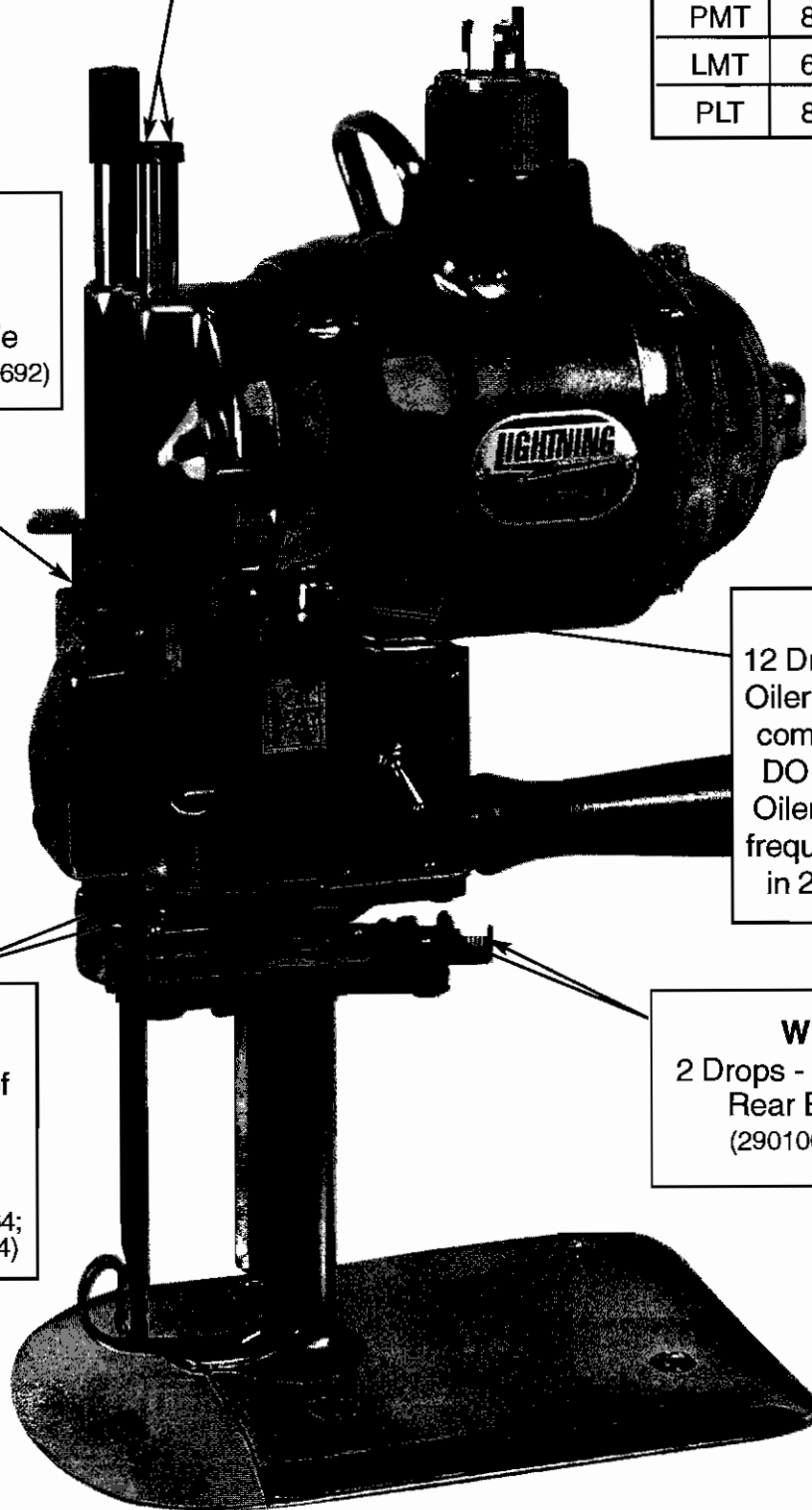
AMPS		
-	110V	220V
PGD	8.5	5.4
PMT	8.5	4.3
LMT	6.5	2.5
PLT	8.5	3.5

DAILY
4 Drops -
Oil only in
Idler Gear hole
(for Idler Gear 2900692)

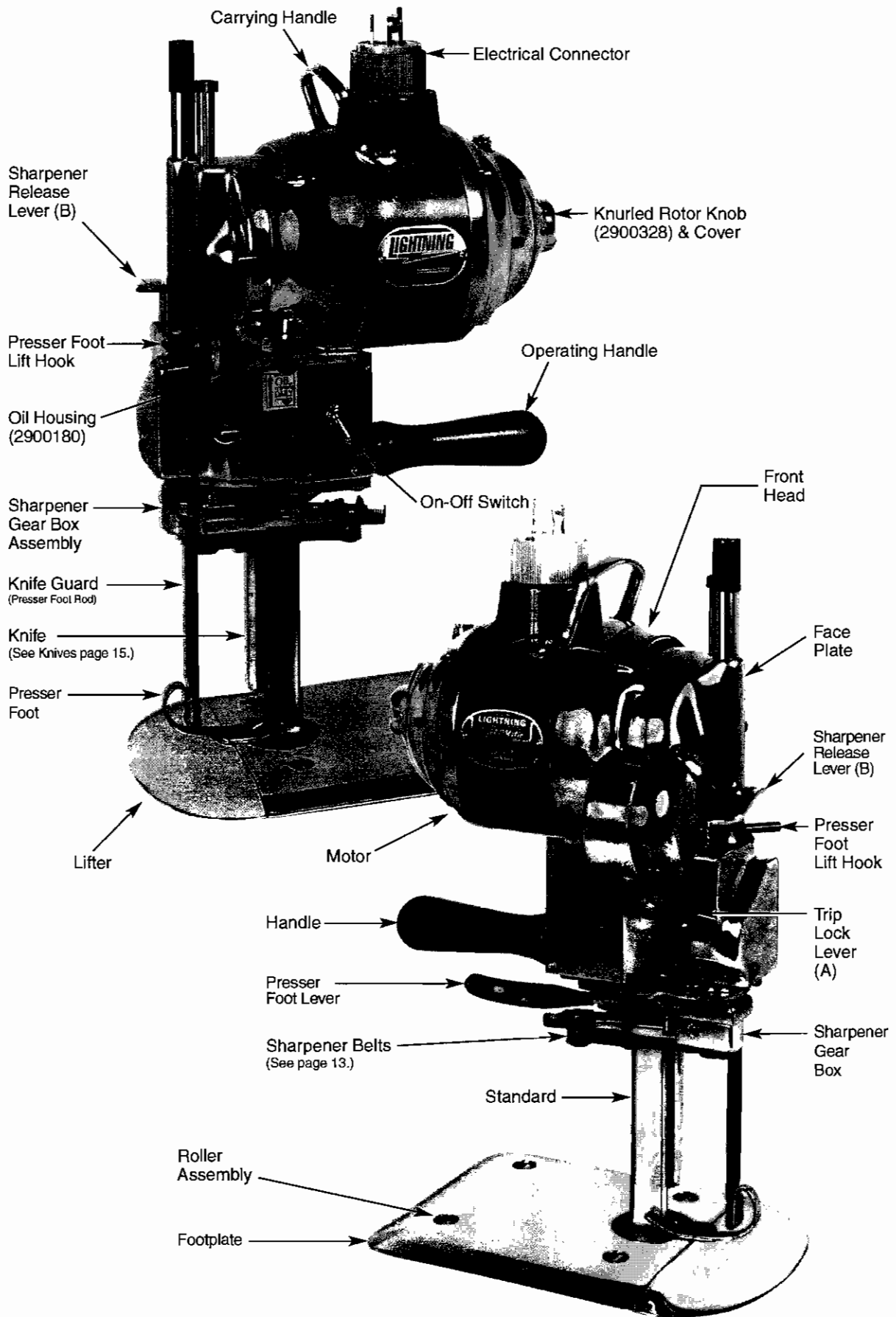
DAILY
12 Drops - Oil only in
Oiler Housing before
commencing work.
DO NOT put Oil in
Oiler Housing more
frequently than once
in 24 hour period.

MONTHLY
4 Drops - Oil
only at base of
LH & RH
Square Drive
Shafts,
(2901452-2901464;
2901472-2901484)

WEEKLY
2 Drops - Oil only in both
Rear Belt Pulleys
(2901068, 2901072)



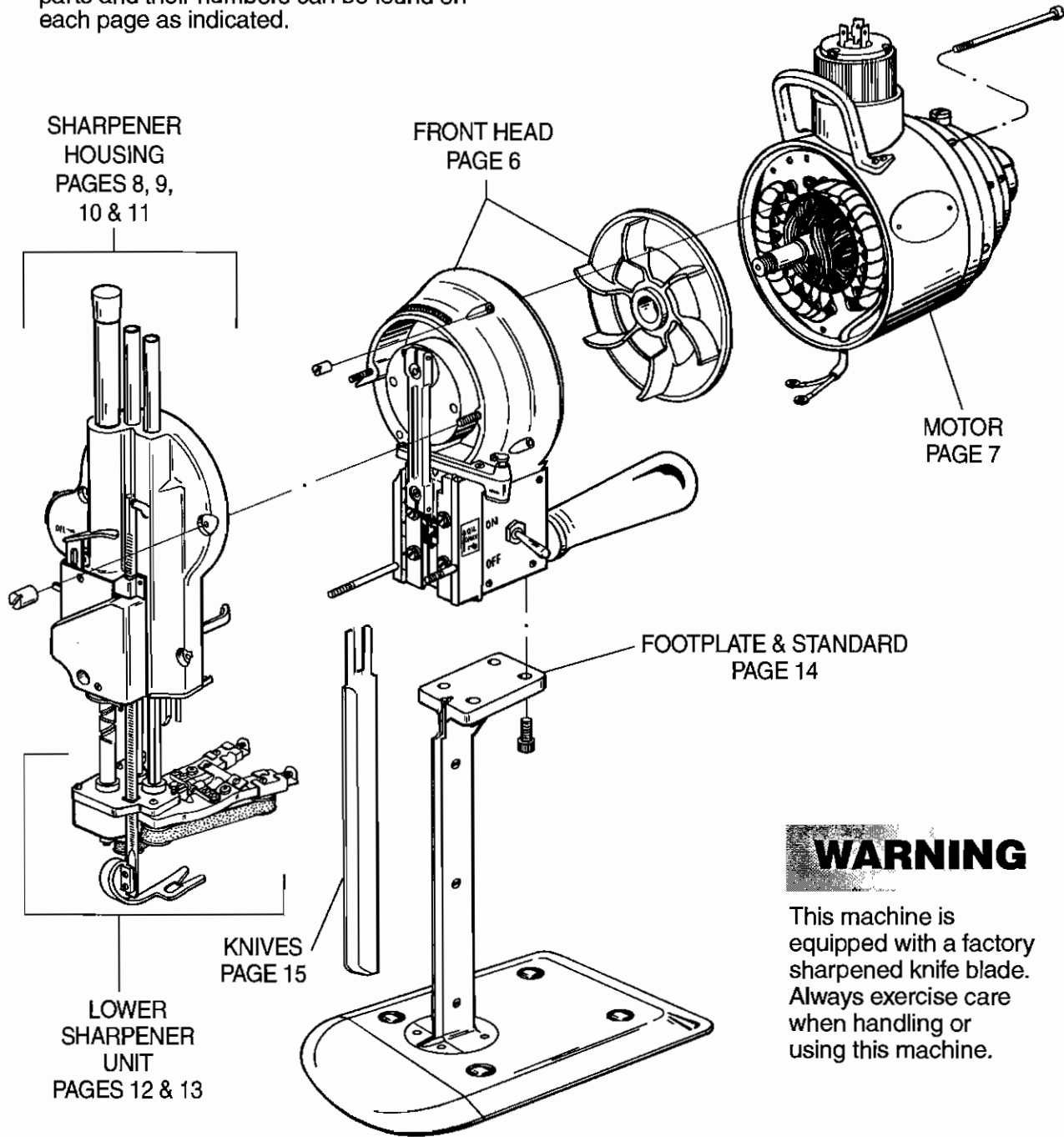
LIGHTNING



LIGHTNING

LIGHTNING PARTS ILLUSTRATIONS AND PARTS LIST

The parts section of this manual has been divided into major assemblies shown below, individual parts and their numbers can be found on each page as indicated.

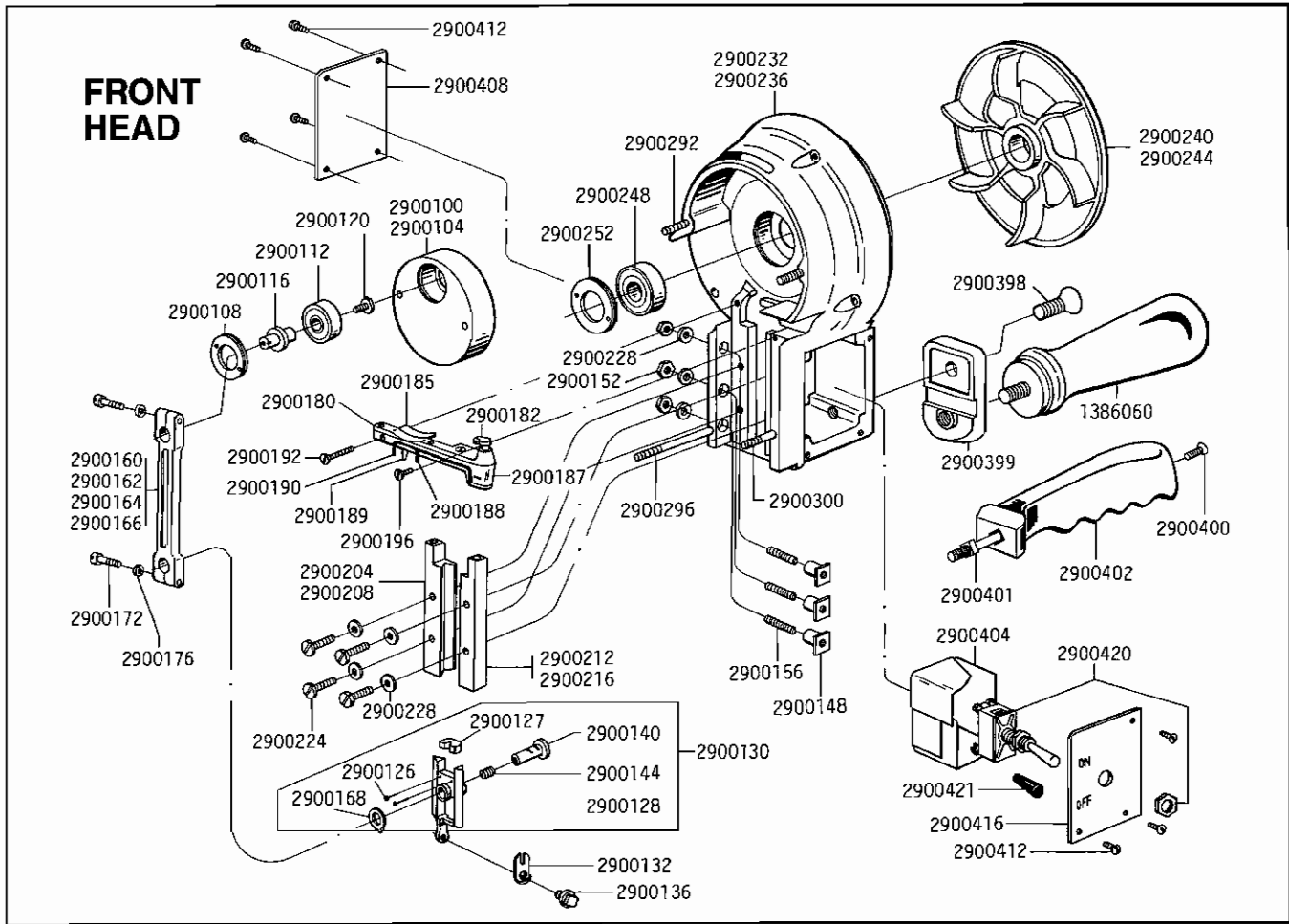


WARNING

This machine is equipped with a factory sharpened knife blade. Always exercise care when handling or using this machine.

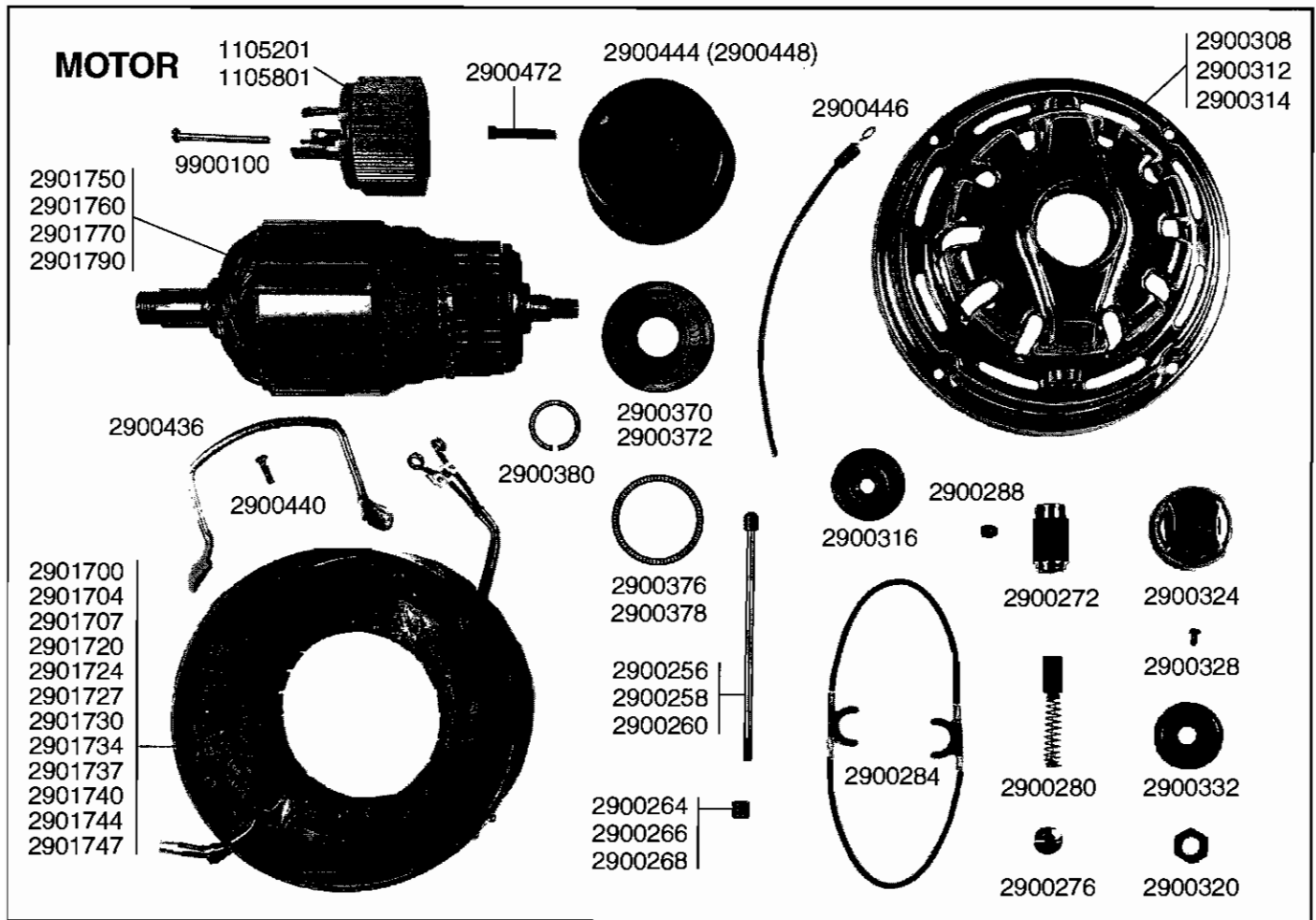
IMPORTANT

When ordering parts - Specify: Part number, description, machine size, machine serial number and parts manual edition.



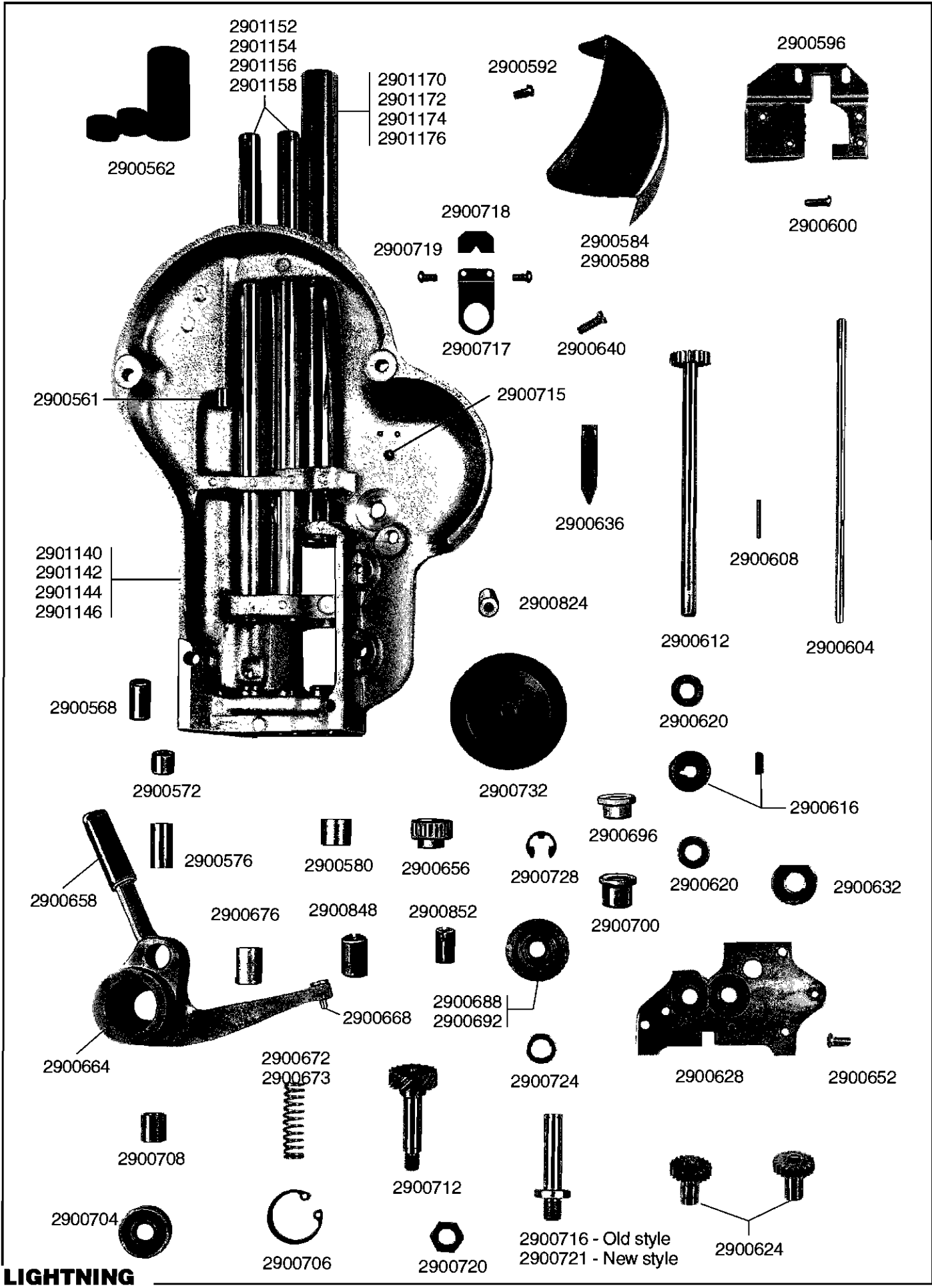
Part No.	Description	Quantity used if more than 1	Part No.	Description	Quantity used if more than 1
1386060	Handle		2900189	Wick Crosshead – 3-7/8"	
2900100	Crank-STD Stroke 1 3/8"		2900190	Wick Left hand Guide – 4-7/8"	
2900104	Crank-Long Stroke 1 5/8"		2900192	Housing Retaining Screw Long	
2900108	Crank Bearing Lock Nut		2900196	Housing Retaining Screw Short	
2900112	Crank Bearing		2900204	Guide Left hand 1-3/8 STK	
2900116	Crank Pivot Stud		2900208	Guide Left hand 1-5/8 STK	
2900120	Bearing Lock Screw		2900212	Guide Right hand 1-3/8 STK	
2900126	Crosshead Pin	2	2900216	Guide Right hand 1-5/8 STK	
2900127	Crosshead Felt		2900224	Guide Screw	4
2900128	Crosshead		2900228	Guide Screw Washer	7
2900130	Crosshead Complete		2900232	Front Head	
2900132	Knife Lock Washer		2900236	Front Head – LightoMatic	
2900136	Knife Stud & Nut		2900240	Fan	
2900138	Knife Stud & Nut (Not shown) Special		2900244	Fan – LightoMatic	
2900140	Crosshead Wrist Pin		2900248	Front Head Bearing	
2900144	Wrist Pin Plug		2900252	Front Head Bearing Lock nut	
2900148	Guide Adjustment Thread Insert	3	2900292	Stud - Upper	2
2900152	Guide Adjustment Lock nut	3	2900296	Stud - Lower Left Hand	
2900156	Guide Adjustment Screw	3	2900300	Stud - Lower Right Hand	
2900160	Connection Rod-STD Stroke 1 3/8"		2900395	Handle Furrol (Not shown)	
2900162	Connection Rod-1 3/8" S.A.		2900396	Heat Shield (Not shown)	
2900164	Connection Rod-Long Stroke 1 5/8"		2900398	Handle Bracket Screw	
2900166	Connection Rod-1 5/8" S.A.		2900399	Handle Lowering Bracket	
2900168	Connection Rod Spacer		2900400	Handle attaching Screw	
2900172	Connection Rod Clamp Screw	2	2900401	Handle Shank	
2900176	Connection Rod Lock washer	2	2900402	Handle	
2900180	Oiler Housing Assy		2900403	Handle S.A. (not shown)	
2900182	Oil Cup		2900404	Switch Insulation	
2900183	Insert – Long (Not shown)		2900408	Left Hand Switch Plate	
2900185	Oil Reservoir Cover		2900412	Switch Plate Screw	8
2900187	Oil Reservoir/ drilled with insert		2900416	Right Hand Switch Plate	
2900188	Wick Right hand Guide – 3-3/8"		2900420	Switch - 110/220 Volts	
			2900421	Rubber Cover	

LIGHTNING



Part No.	Description	Quantity used if more than 1	Part No.	Description	Quantity used if more than 1
1105201	220V/1 Phase Twist-Lock Male Plug		2900446	Ground Wire	
1105801	110V/1 Phase Twist-Lock Male Plug		2900448	Power Plug Insert Molding Complete; parts included (Not shown)	
2900256	Motor Bolt - PowerGlide	4	2900452	Power Pin	2
2900258	Motor Bolt - PowerMatic, PlastaMatic	4	2900456	Earth Pin	
2900260	Motor Bolt - LightoMatic	4	2900460	Power Pin Screw	3
2900264	Motor Bolt Nut - PowerGlide, PowerMatic & PlastaMatic	8	2900464	Earth Strip;	
2900266	Rear Nut-Motor Bolt - LightoMatic	4	2900468	Shakeproof Washer	3
2900268	Front Nut-Motor Bolt - LightoMatic	4	2900476	Insulating Disk	
2900272	Brush Guide	2/4	2899480	Insulating Disk Screw	
2900276	Brush Cap	2/4	2901096	Accessory - Cord Extension Socket	
2900280	Carbon Brush	2/4	2900472	Power Plug Adapter Screw	3
2900284	Brush Guide Connector		2901096	Cord Extension Socket (Not shown)	
2900288	Brush Guide Lock Screw	2/4	2901700	Stator - 110V, 60 Cycle - LightoMatic	
2900308	Rear Motor Head - PowerMatic & PowerGlide		2901704	Stator - 220V, 60 Cycle - LightoMatic	
2900312	Rear Motor Head - LightoMatic		2901707	Stator - 230V, 50 Cycle - LightoMatic	
2900314	Rear Motor Head - PlastaMatic		2901720	Stator - 110V, 60 Cycle - PowerMatic	
2900316	Rear Head Bearing		2901724	Stator - 220V, 60 Cycle - PowerMatic	
2900320	Bearing Lock Nut		2901727	Stator - 230V, 50 Cycle - PowerMatic	
2900324	Cover Guard		2901730	Stator - 110V, 60 Cycle - PlastaMatic	
2900328	Cover Guard Screw	2	2901734	Stator - 220V, 60 Cycle - PlastaMatic	
2900332	Knurled Turning Knob (Black)		2901737	Stator - 230V, 50 Cycle - PlastaMatic	
2900370	Cutout Gear Complete - PlastaMatic		2901740	Stator - 110V, 60 Cycle - PowerGlide	
2900372	Cutout Gear Complete - High Speed		2901744	Stator - 220V, 60 Cycle - PowerGlide	
2900376	Cutout Gear Spring		2901747	Stator - 230V, 50 Cycle - PowerGlide	
2900378	Cutout Gear Spring - PlastaMatic		2901750	Armature - LightoMatic - All voltages	
2900380	Circlip		2901760	Armature - PlastaMatic - All voltages	
2900436	Carrying Handle		2901770	Armature - PowerMatic - All voltages	
2900440	Carrying Handle Screw	4	2901790	Armature - PowerGlide - All voltages	
2900444	Power Plug Adapter		9900100	Screw for Plug	3

LIGHTNING

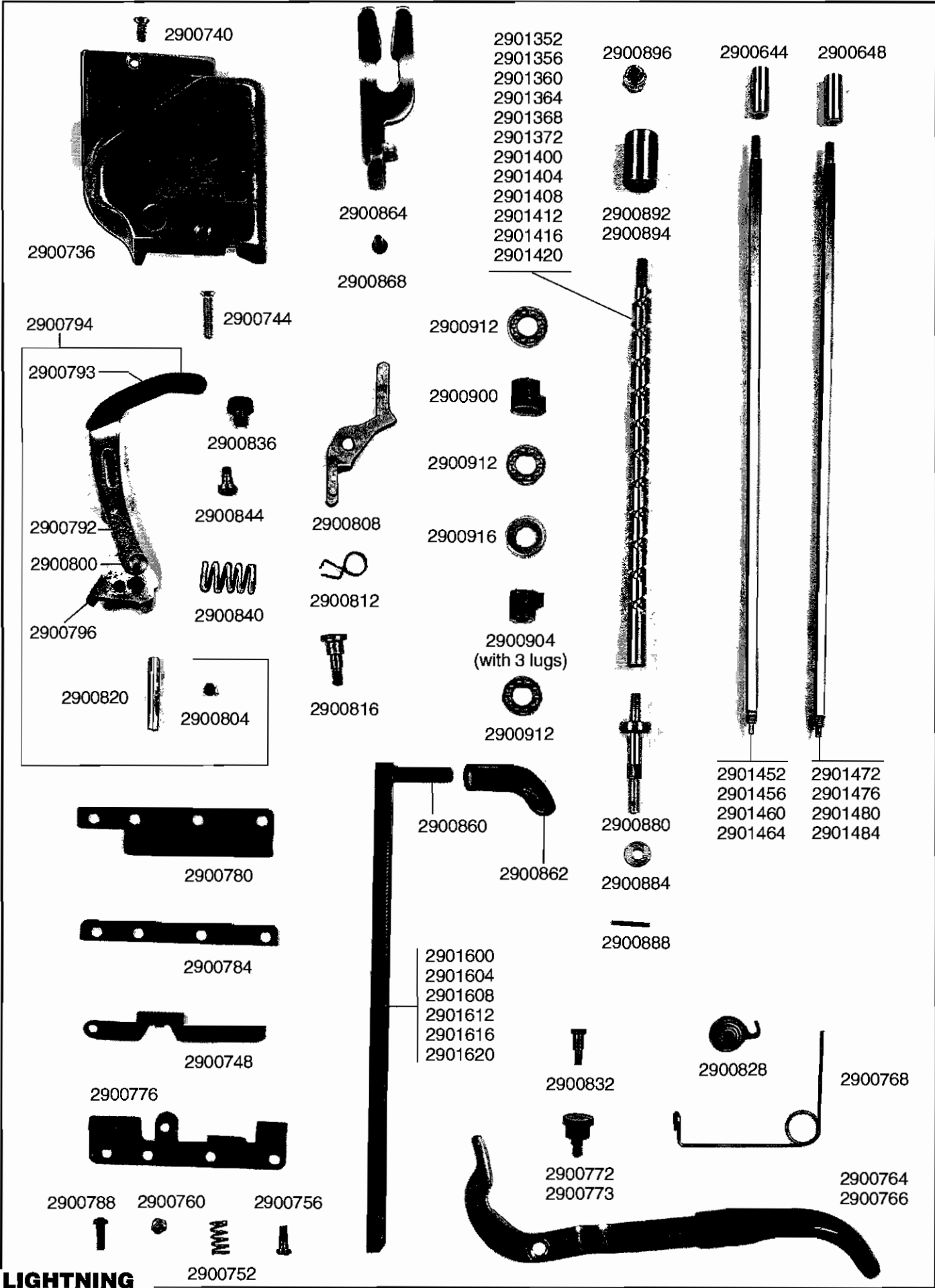


LIGHTNING

SHARPENER NUMBERS

Part No.	Description	Quantity used if more than 1	Part No.	Description	Quantity used if more than 1
2900561	Spring Guide		2900688	Idler Gear (1/8" narrower, prior to 1994) w/Bushing	
2900562	Connecting Cap for Tubes		2900692	Idler Gear with Bushing	
2900568	Bushing - Drive Shaft (Upper)		2900696	Idler Gear Bushing - Old style, (1/8" shorter, models prior to 1994)	
2900572	Bushing - Drive Shaft (Center)		2900700	Idler Gear Bushing	
2900576	Bushing - Drive Shaft (Lower)		2900704	Gear Box Bearing	2
2900580	Bushings - Gears	2	2900706	Gear Box Bearing Retaining Clip	
2900584	Friction Drive Cover -Prior to Sept. 1996		2900708	Gear Box Bearing Race Spacer	
2900588	Friction Drive Cover - LightoMatic		2900712	Gear & Shaft	
2900592	Friction Drive Cover Screws	2	2900715	Brass Eyelet	
2900596	Oil Pad Holder		2900716	Threaded Gear Spindle (Old style)	
2900600	Oil Pad Holder Screws	2	2900717	Oiler Bracket	
2900604	Push Rod		2900718	Oiler Felt	
2900608	Push Rod Pin		2900719	Screw	2
2900612	Drive Shaft with Gear		2900720	Gear Spindle Lock Nut	
2900616	Left Hand Gear with Key		2900721	Threaded Gear Spindle (New style)	
2900620	Thrust Washer	2	2900724	Gear Spindle Washer	
2900624	Broached Gear	2	2900728	Gear Spindle Spring Clip	
2900628	Spreader Plate		2900732	Rubber Friction Drive	
2900632	Thrust Washer	2	2900824	Cam Shaft Bearing	2
2900636	Spreader Pin		2900848	Face Plate Dome Nut	3
2900640	Spreader Pin Screw		2900852	Lower Face Plate Dome Nut	
2900652	Spreader Plate Screw	3	2901140	Face Plate - with tubes - 4", 6" & 8"	
2900656	Lower Bushing - Reverse Drive Shaft		2901142	Face Plate - with tubes - 10"	
2900658	Plastic Cover		2901144	Face Plate - with tubes - 12"	
2900660*	Gear Box - Prior to 1994		2901146	Face Plate - with tubes - 14"	
2900664	Gear Box		2901152	4-6-8" Small Tubes	2
2900665	Gear Box S.A. - (Includes 2900665, 2900668, 2900676,2900704 (2) and 2900708.)		2901154	10" Small Tubes	2
2900668	Gear Box Stud		2901156	12" Small Tubes	2
2900672	Gear Box Spring		2901158	14" Small Tubes	2
2900673	Gear Box Spring - PlastaMatic		2901170	4-6-8" Large Tube	
2900676	Bushing - Gear Box		2901172	10" Large Tube	
2900678	Gear Box S.A. (1/8" Shorter) (Includes 2900664, 2900668, 2900676, 2900704 [2], 2900706 & 2900708.)		2901174	12" Large Tube	
			2901176	14" Large Tube	

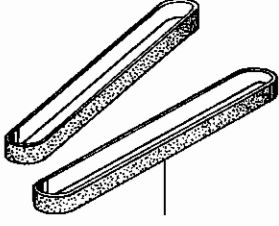
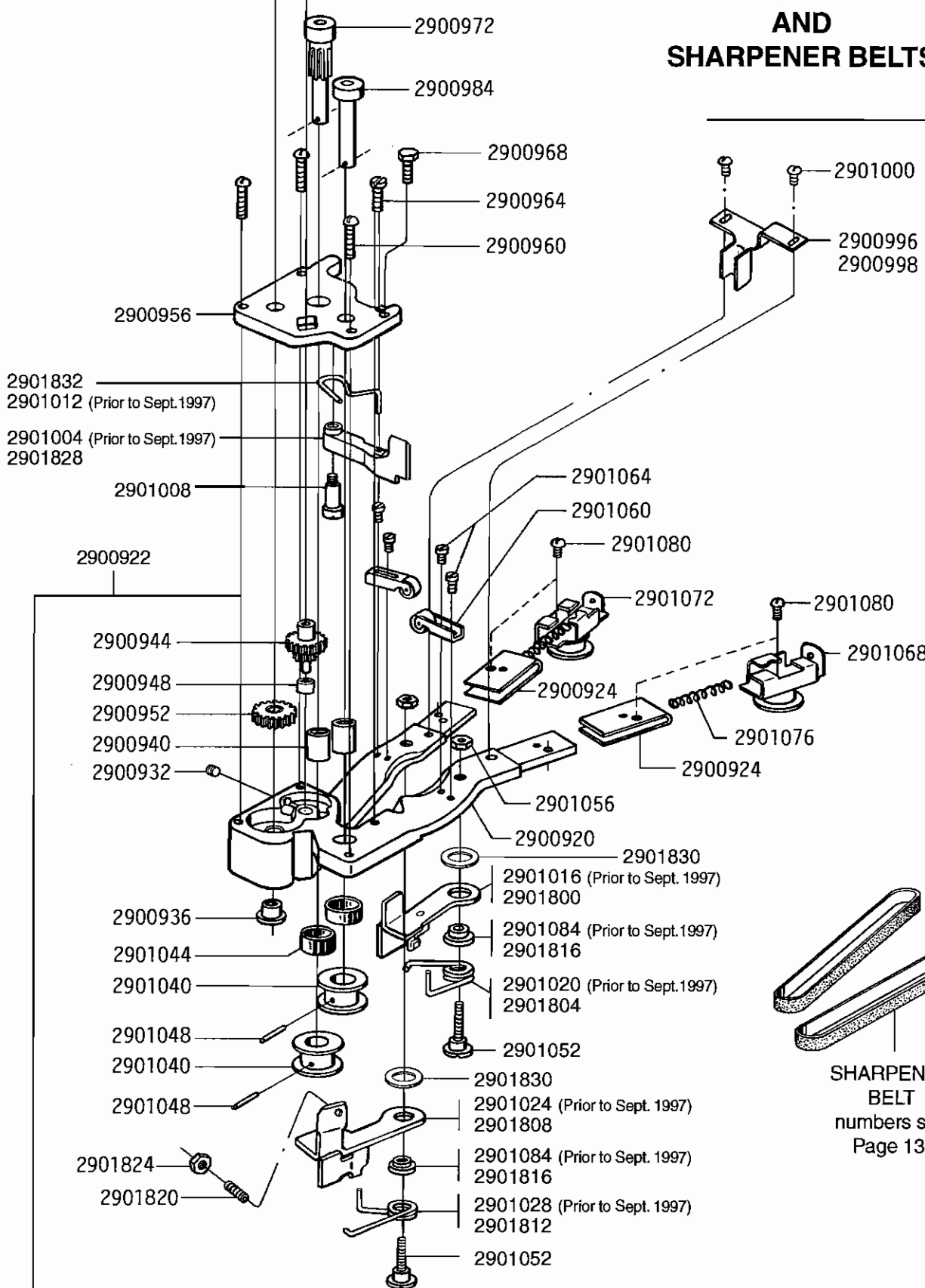
*NOTE: If it is necessary to replace Gear Box #2900660 (Prior to 1994) we recommend fitting latest series #2900664 with latest Idler Gear #2900692 to suit.



SHARPENER NUMBERS

Part No.	Description	Quantity used if more than 1	Part No.	Description	Quantity used if more than 1
2900644	LH Thread Follower Nut		2900892	Cam Latch Trip Nut - 1 3/8"	
2900648	RH Thread Follower Nut		2900894	Cam Latch Trip Nut - 1 5/8"	
2900736	Face Plate Cover		2900896	Trip Lock Nut (Nylon)	
2900740	Top Cover Screw		2900900	Top Spline Nut with 3 Lugs	
2900744	Lower Cover Screw		2900904	Lower Spline Nut with Red Dot	
2900748	Presser Foot Rod Lock		2900912	Thrust Race Cage & Balls	3
2900752	Presser Foot Rod Lock Spring		2900916	Thrust Washer	6
2900756	Presser Foot Rod Lock Screw		2901352	4" Reverse Drive Shaft w/extension	
2900760	Presser Foot Rod Lock Nut (Nylon)		2901356	6" Reverse Drive Shaft w/extension	
2900764	Presser Foot Lever		2901360	8" Reverse Drive Shaft w/extension	
2900766	Presser Foot Lever for lowered handle		2901364	10" Reverse Drive Shaft w/extension	
2900768	Presser Foot Lever Spring		2901368	12" Reverse Drive Shaft w/extension	
2900772	Presser Foot Lever Screw - Prior to 6/2001, replace with 2900773		2901372	14" Reverse Drive Shaft w/extension	
2900773	Presser Foot Lever Screw - replacement, Screw with Nut #2900760		2901400	4" Reverse Drive Shaft w/o Extension	
2900776	Presser Foot Lever Bracket		2901404	6" Reverse Drive Shaft w/o Extension	
2900780	Presser Foot Rod Sleeve		2901408	8" Reverse Drive Shaft w/o Extension	
2900784	Presser Foot Sleeve Spacer		2901412	10" Reverse Drive Shaft w/o Extension	
2900788	Presser Foot Bracket Screw	4	2901416	12" Reverse Drive Shaft w/o Extension	
2900792	Release Lever		2901420	14" Reverse Drive Shaft w/o Extension	
2900793	Plastic Cover		2901450	4", 6" & 8" Square Drive LH w/Extension #2900972	
2900794	Release Lever S.A.		2901452	4", 6" & 8" Square Drive LH	
2900796	Cam		2901454	10" Square Drive LH w/Extension #2900972	
2900800	Cam Attaching Rivet		2901456	10" Square Drive LH	
2900804	Cam Lock Screw		2901458	12" Square Drive LH w/Extension #2900972	
2900808	Trip Lock Lever		2901460	12" Square Drive LH	
2900812	Latch Spring		2901462	14" Square Drive LH w/Extension #2900972	
2900816	Latch Screw		2901464	14" Square Drive LH	
2900820	Shaft For Cam		2901470	4", 6" & 8" Square Drive RH w/Extension #2900984	
2900828	Cam Spring		2901472	4", 6" & 8" Square Drive RH	
2900832	Cam Spring Screw		2901474	10" Square Drive RH w/Extension #2900984	
2900836	Stud for Release Lever		2901476	10" Square Drive RH	
2900840	Release Lever Spring		2901478	10" Square Drive RH w/Extension #2900984	
2900844	Stud Release Screw		2901480	12" Square Drive RH	
2900860	Presser Foot Rod Lifting Stud		2901482	14" Square Drive RH w/Extension #2900984	
2900862	Lifting Hook		2901484	14" Square Drive RH	
2900864	Presser Foot		2901600	Presser Foot Rod 4"	
2900868	Presser Foot Screw		2901604	Presser Foot Rod 6"	
2900880	Rev. Drive Shaft Extension		2901608	Presser Foot Rod 8"	
2900884	Thrust Collar for Extension		2901612	Presser Foot Rod 10"	
2900888	Thrust Collar Pin		2901616	Presser Foot Rod 12"	
			2901620	Presser Foot Rod 14"	

LOWER SHARPENER AND SHARPENER BELTS



SHARPENER BELT
numbers see Page 13.

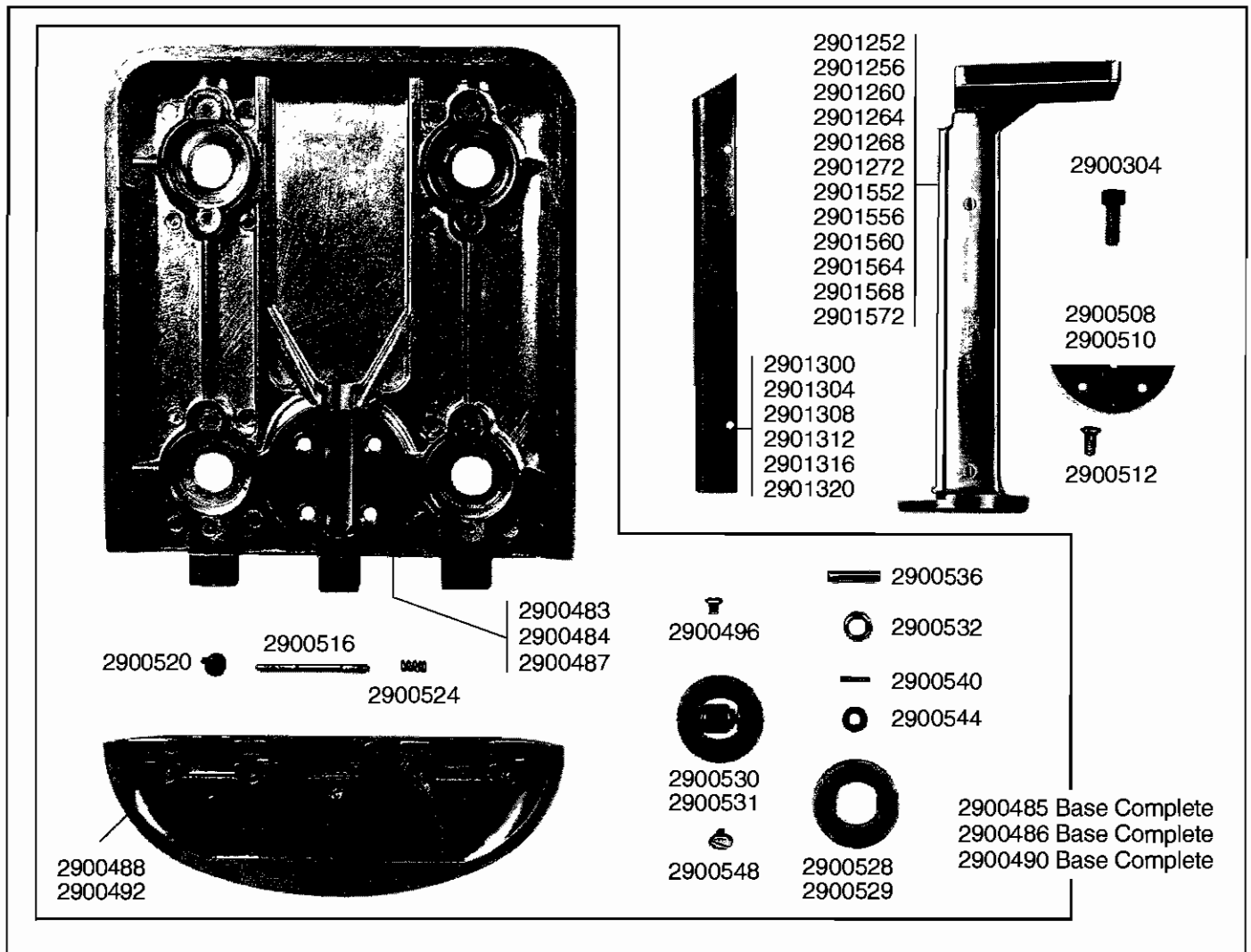
LOWER SHARPENER NUMBERS

Part No.	Description	Quantity used if more than 1	Part No.	Description	Quantity used if more than 1
2900920	Sharpener Gear Box		2901028	LH Shoe Spring - Prior to Sept. 1997,	
2900922	Sharpener Gear Box Assy w/o Belts		2901040	Front Belt Pulley	2
2900924	Wearing Strip	2	2901044	Front Pulley Rubber Liners	2
2900932	Grease Plug		2901048	Pulley Pins	2
2900936	Thrust Bushing		2901052	Shoe & Spring Pivot Screw	2
2900940	Shaft Extension Bushing	2	2901056	Pivot Screw Lock Nut	2
2900944	Cluster Gear		2901060	Stabilizers	2
2900948	Cluster Gear Bushing		2901064	Stabilizer Screw	4
2900952	Reversing Shaft Gear		2901068	RH Slide with Pulley	
2900956	Gear Box Cover		2901072	LH Slide with Pulley	
2900960	Gear Cover Screw	3	2901076	Slide Spring	2
2900964	Gear Cover Screw		2901080	RH/LH Slide Screw	2
2900968	Adjustable Screw		2901084	Shoe Bushing – Prior to Sept. 1997	2
2900972	LH Gear Shaft Extension		2901800	RH Shoe with Bushing	
2900984	RH Gear Shaft Extension		2901804	RH Shoe Spring	
2900996*	Guide - Back of Standard - 4", 6", 8", 10" & 12"		2901808	LH Shoe with Bushing, Front Teeth Lock System	
2900998	Guide - Back of Standard - 14"		2901812	LH Shoe Spring	
2901000	Guide Bracket Screw	2	2901816	Shoe Bushing	2
2901004	Lock Arm for Shoe – Prior to Sept. 1997, Side Teeth Lock System		2901820	Adjustment Screw	
2901008	Lock Arm Screw		2901824	Adjustment Lock Nut	
2901012	Lock Arm Spring – Prior to Sept. 1997, Side Teeth Lock System		2901828	Lock Arm – Front Teeth Lock System	
2901016	RH Shoe with Bushing - Prior to Sept. 1997		2901830	Washer	
2901020	RH Shoe Spring - Prior to Sept. 1997		2901832	Lock Arm Spring, Front Teeth Lock System	
2901024	LH Shoe with Bushing - Prior to Sept. 1997, Side Teeth Lock System				

*Note: From August 1998, this part will be made to suit all models.

SHARPENER BELTS					
2901200	Belt	–	150 Grit	Very Fine	(White)
2901204	Belt	–	120 Grit	Fine	(Blue)
2901208	Belt	–	100 Grit	Medium	(Green)
2901212	Belt	–	80 Grit	Coarse	(Red)
2901216	Belt	–	60 Grit	X-Coarse	(Black)

LIGHTNING

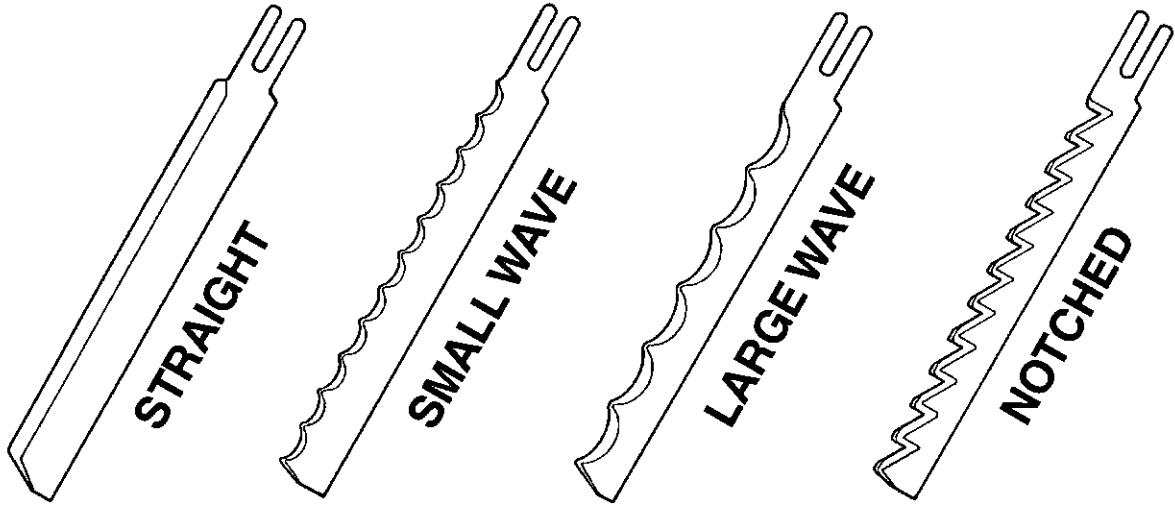


FOOTPLATE & STANDARD

Part No.	Description	Quantity used if more than 1	Part No.	Description	Quantity used if more than 1
2900304	Standard to Motor Screw	4	2900532	Roller Shell	4
2900483	Footplate - Forward balance		2900536	Roller Axle	4
2900484	Footplate - all 12" & 14" LightoMatic, PowerMatic & 10" with 1-5/8" Stroke		2900540	Roller Pin	40
2900485	Footplate Comp. - all 12" & 14" LightoMatic, PowerMatic & 10" 1-5/8" Stroke		2900544	Roller Washer	8
2900486	Footplate Complete - Forward balance		2900548	Roller Case Lock Screw	8
2900487	Footplate - PlastaMatic		2901252	4" Standards - LightoMatic w/Inserts	
2900488	Lifter - all models except PlastaMatic		2901256	6" Standards - LightoMatic w/Inserts	
2900490	Footplate Complete - PlastaMatic		2901260	8" Standards - LightoMatic w/Inserts	
2900492	Lifter - PlastaMatic		2901264	10" Standards - LightoMatic w/Inserts	
2900496	Insert Screw	2 or 3	2901268	12" Standards - LightoMatic w/Inserts	
2900508	Toeplate - all 4", 6", 8" & 10" models		2901272	14" Standards - LightoMatic w/Inserts	
2900510	Toeplate - all 12" & 14" models		2901300	4" Inserts	
2900512	Toeplate & Standard Base Screw	4	2901304	6" Inserts	
2900516	Hinge Pin	2	2901308	8" Inserts	
2900520	Hinge Pin Screw	4	2901312	10" Inserts	
2900524	Lifter Tension Spring	2	2901316	12" Inserts	
2900528	Roller Case - Red	4	2901320	14" Inserts	
2900529	Roller Case Black (Hard Rubber)	4	2901552	4" Standard - Heavy Duty with Inserts	
2900530	Roller Assembly Complete - Red	4	2901556	6" Standard - Heavy Duty with Inserts	
2900531	Roller Assembly Complete - Black	4	2901560	8" Standard - Heavy Duty with Inserts	
			2901564	10" Standard - Heavy Duty with Inserts	
			2901568	12" Standard - Heavy Duty with Inserts	
			2901572	14" Standard - Heavy Duty with Inserts	

LIGHTNING

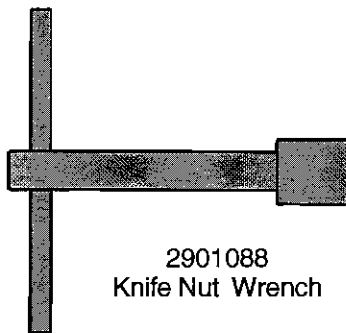
KNIVES



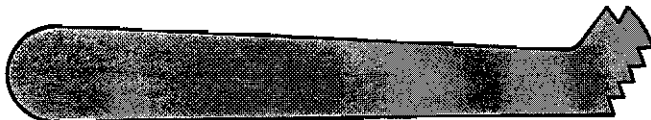
BLADE TYPES AVAILABLE

Size	Blade Type	HSS with Hole	Alloy	Size Steel	Blade Type	HSS with Hole	Alloy Steel
4	Straight	1460070	-	8	Straight	1460470	1460472
4	Small Wave	-	1460073	8	Large Wave	1460476	1460475
4	Large Wave	-	1460075	8	Notched	1460477	-
6	Straight	1460270	1460272	10	Straight	1460670	1460672
6	Small Wave	-	1460273	10	Large Wave	1460676	-
6	Large Wave	1460276	-	12	Straight	1460870	1460872
6	Notched	1460277	-	14	Straight	1461070	1451072

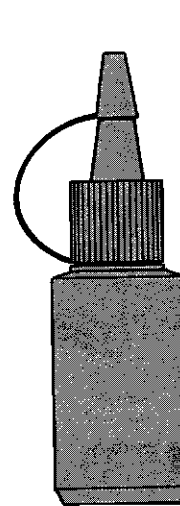
TOOLS AND LUBRICANTS



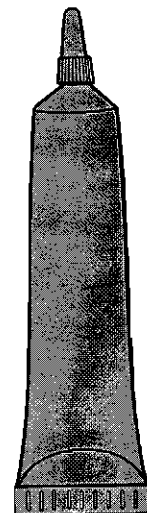
2901088
Knife Nut Wrench



2901100 Knife Slot Cleaning Tool



2901102 Oil



2901092 Grease

20 YEAR GUARANTEE

ON OUR REPULSION INDUCTION MOTORS

We guarantee the motor of our "LightoMatic", PowerMatic", and "PowerGlide" cutting machines (excluding Switch, Brushes and Switch Gear) for a period TWENTY YEARS, against burning out; provided it has not been dismantled by anyone other than Lightning International or one of our authorized representatives. In case of our representative dismantling, we would require the part to be returned to us for inspection. The machine itself carries a guarantee of twelve months.

Lightning machines can be supplied with your choice of motor and knife size...you can practically build one to order. For example, you can have a light motor on a large machine to cut light, bulky material or a powerful motor on a small machine for tough, heavy fabrics. To ensure long life this machine is also equipped with hardened and ground gears throughout the sharpening mechanism.

WARNING! The use of any other than genuine "Lightning" blades and/or parts WILL CAUSE DAMAGE to this cutting machine and such use will be considered outside the scope of this guarantee.

IMPORTANT REMEMBER TO PLEASE RETURN YOUR WARRANTY CARD.

LIGHTNING INTERNATIONAL N.A., INC.

5570 CREEK ROAD • CINCINNATI, OH 45242
PHONE: 513-791-4932 • FAX 513-791-5969 • TOLL FREE 1-800-385-BOLT